

CLASS 150 CAST STEEL GLOBE VALVE FLANGED ENDS

KITZ Fig: 150SCJS

Sizes: 2 1/2-inch(65-mm)

Standards

- End to End: ASME B16.10 CLASS 150
- End Connection: ASME B16.5 CLASS 150
- Wall Thickness: API 600 CLASS 150

Test Standard

- API 598

Dimensions

SIZE (inch/mm)		L	L1	H	D1	Kg
2 1/2	65	216.0		380.0	250.0	
3	80	241.0		390.0	250.0	
4	100	292.0		459.0	250.0	
5	125	356.0		485.0	300.0	
6	150	406.0		513.0	350.0	

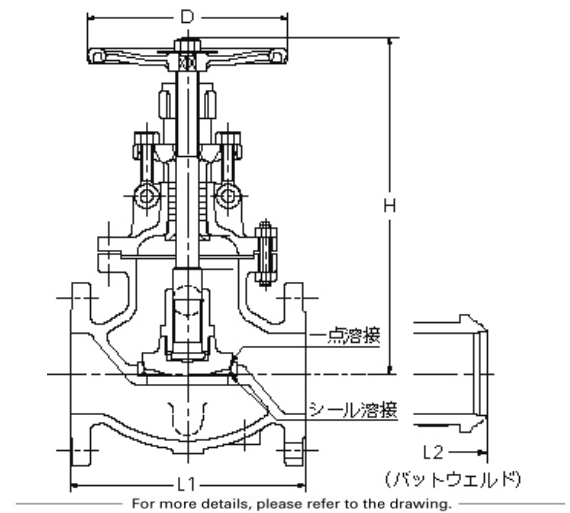
Specifications

CLASS 150 CAST STEEL GLOBE VALVE FLANGED ENDS

End to End : ASME B16.10 CLASS 150, End Connection : ASME B16.5

CLASS 150, Wall Thickness : API 600 CLASS 150, Test Standard : API

598, Sizes : 2 1/2-inch(65-mm), , KITZ Fig : 150SCJS



Pressure-temperature ratings and other performance data published in this catalog have been developed from our design calculation, in-house testing, field reports provided by our customers and/or published official standards or specifications. They are good only to cover typical applications as a general guideline to users of KITZ products introduced in this catalog. For any specific application, users are kindly requested to contact KITZ Corporation for technical advice, or to carry out their own study and evaluation for proving suitability of these products to such an application. Failure to follow this request could result in property damage and/or personal injury, for which we shall not be liable. Read instruction manual carefully before use.

KITZ

KITZ CORPORATION 1-10-1 Nakase, Mihama-ku, Chiba 261-8577, Japan
© KITZ Corporation. All Right Reserved.

ISO 9001
CERTIFIED
Since 1989