

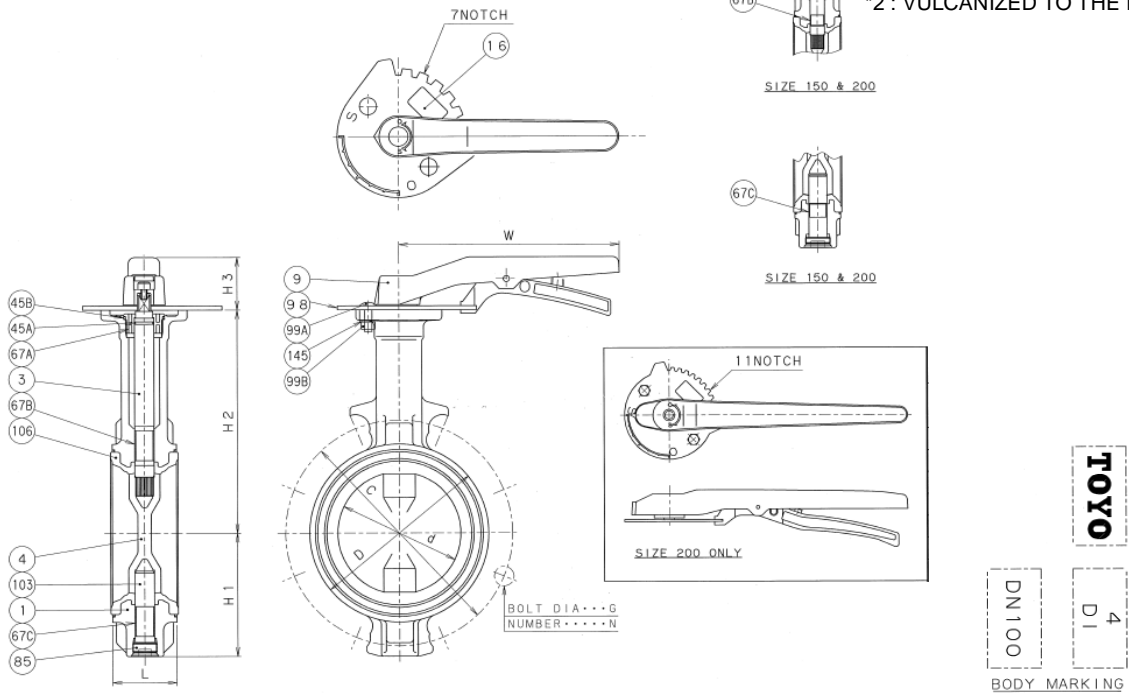
PN16 DUCTILE IRON WAFER TYPE RUBBER SEATED BUTTERFLY VALVE

WAFER / Lever Operated, EPDM Seat

Materials

No	Name of parts	Specifications		No	Name of parts	Specifications	
1	BODY	A536 Gr.65-45-12		67C	STEM BEARING	G/F PTFE	SIZE 50-125
3	STEM	A276-410				METAL BACKED PTFE	SIZE 150,200
4	DISC	A351-CF8M		85	PLUG	B86-AG40A	*1
9	LEVER UNIT			98	INDEX PLATE	ALUMINUM	SIZE 50-150
16	NAME PLATE	PET				CARBON STEEL	SIZE 200
45A	O-RING	EPDM		99A	SET BOLT	CARBON STEEL	
45B	O-RING	EPDM		99B	NUT	CARBON STEEL	
67A	BEARING	POM		103	BOTTOM STEM	A276-410	
67B	STEM BEARING	G/F PTFE	SIZE 50-125	106	SEAT RUBBER	EPDM	*2
		METAL BACKED PTFE	SIZE 150,200	145	SPRING WASHER	CARBON STEEL	

*1 : CHROMATE COATING
*2 : VULCANIZED TO THE BODY.



Dimensions

SIZE	d	L	H1	H2	H3	D	FLANGE			W	MASS (kg)	
							C	N	G			
2	50	50	43	67	147	44	90	125	4	M16	180	1.9
2 1/2	65	65	46	75	155	44	104	145	4	M16	180	2.3
3	80	80	46	91	173	44	124	160	8	M16	180	3.2
4	100	100	52	101	183	44	146	180	8	M16	180	3.5
5	125	125	56	127	211	54	176	210	8	M16	230	5.8
6	150	150	56	139	223	54	206	240	8	M20	230	8.0
8	200	197	60	169	248	47	257	295	12	M20	350	15.1

Working Pressures

Working pressures Non-Shock	
Maximum service pressure : 16bar	
Service temperature : -20 ~ 130°C	Continuous service : 0 ~ 100°C

*Design and materials are subject to change without notice.