

LP-8RN, 9RN Type Level Control Valve (for Water)

Level control valve with draining and flow adjusting functions for applications in cold area. Body with cast bronze prevents rust water.

FEATURES

- Suitable for applications in cold area.
- With draining and flow adjusting functions.
- Since the passage to the pilot piping is through bypass line, intermittent water fed by the ball tap

and caused by water wave, has no influence on water supply. Quiet and stable water supply is ensured.

SPECIFICATIONS

| Model name | LP-8RN | | LP-9RN |
|---|--|--|--|
| | LP8RN-F | LP8RN-B | LP9RN-F |
| Size | 20~50(3/4"~2") | | 65~100(2 1/2"~4") |
| Applicable fluid | Water | | |
| Fluid temperature | 1~60°C | | |
| Ambient temperature | -20~60°C | | |
| Applicable pressure | 0.03~0.75MPa | 0.035~0.75MPa | |
| Minimum pressure differential across the disc | 0.03MPa | 0.035MPa | |
| End connection | Screwed JIS Rc | | Flanged JIS 10KFF |
| Materials | Body(Cast bronze) Disc & seat (Brass and synthetic rubber) | Body(Cast iron) Disc & seat (Brass and synthetic rubber) | Body(Cast bronze) Disc & seat (Brass and synthetic rubber) |
| Painting | — | Body inside:Epoxy resin | — |
| Flow adjusting mechanism | Equipped | | |
| Drain valve | Equipped | | |
| Valve body pressure test | Hydraulic 1.75MPa | | |
| Accessories | Ball tap(Size 20mm), male and female bushing | Ball tap(Size 20mm) | Ball tap(Size 20mm), male and female bushing |

*1. Ball tap is designed for cold district use.

*2. The accessory for the valve size 20mm is a ball trap only.

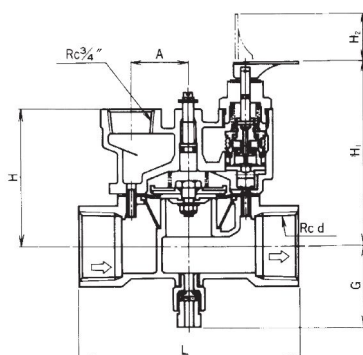
DIMENSIONS

(mm)

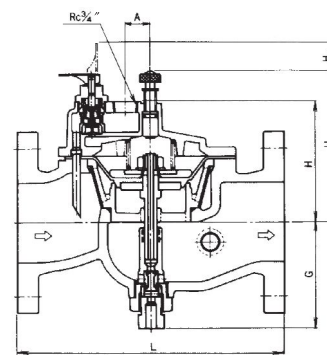
| Size | d | L | G | | H | H ₁ | H ₂ | A | Cv value | Mass(kg) | |
|------------|--------|-----|-------------|-------------|-----|----------------|----------------|----|----------|-------------|-------------|
| | | | LP-8RN Type | LP-9RN Type | | | | | | LP-8RN Type | LP-9RN Type |
| 20(3/4") | 3/4" | 110 | 44 | — | 75 | 103 | 30 | 30 | 5 | 1.4 | — |
| 25(1") | 1" | 120 | 49 | — | 80 | 108 | 30 | 30 | 8 | 1.7 | — |
| 32(1 1/4") | 1 1/4" | 135 | 54 | — | 85 | 113 | 30 | 35 | 11 | 2.3 | — |
| 40(1 1/2") | 1 1/2" | 145 | 58 | — | 90 | 118 | 30 | 31 | 16 | 2.8 | — |
| 50(2") | 2" | 170 | 63 | — | 98 | 126 | 30 | 39 | 22 | 4.1 | — |
| 65(2 1/2") | — | 270 | 102 | 102 | 125 | 155 | 25 | 26 | 60 | 21 | 19 |
| 80(3") | — | 270 | 106 | 106 | 125 | 155 | 25 | 26 | 70 | 21 | 21 |
| 100(4") | — | 290 | 119 | 116 | 137 | 167 | 25 | 39 | 100 | 29 | 28 |

* Size 65~100mm: Flange code JIS 10KFF

CONSTRUCTION



Size 20~50mm (LP-8RN Type)



Size 65~100mm (LP-8RN, 9RN Type)


 Size 20~50mm
(LP-8RN Type)

 Size 65~100mm
(LP-8RN, 9RN Type)