

RD-14 Type Series Pressure Reducing Valve (for Water, Hot Water, Air or Oils)

Direct operated pressure reducing valve for water, liquids, or air with small or large flow and small range of pressure change.

Ideal for pressure control of roof water tank, water pumping system, or boiler direct linking water supply system for tall/medium height buildings or in industrial applications, for controlling pressure of fuel, lubricants and air.



RD-14W, 14H Type



RD-14CN Type

Special order product
(With 2 pressure gauges)

FEATURES

- Pressure balanced structure with small change of set pressure.
- One-way (upper side) dissembling allows easy maintenance.
- RD-14CN Type has nylon coating, which can prevent occurrence of rusty water.

SPECIFICATIONS

| Type | Standard | Hot water & oil | Nylon coating |
|---|--|---|-------------------|
| Model name | RD-14W | RD-14H | RD-14CN |
| Code name | RD14W-B □ | RD14H-B □ | RD14CN-B □ |
| | ※ L, M or H for adjustable secondary pressure is required in □. | | |
| Applicable fluid | Water, hot water & air | Oils not corrosive, kerosene, lubricant, heavy oil A & B, & hot water | Water & hot water |
| Fluid temperature | 5~60°C | 5~90°C | 5~60°C |
| Fluid viscosity | — | Max. 800cSt | — |
| Applicable primary pressure | Max. 1.0MPa | | |
| Adjustable secondary pressure | Size 15~80mm L:0.05~0.35MPa, M(For RD-14CN Type is H):0.3~0.7MPa Size 100~150mm L:0.05~0.35MPa, M(For RD-14CN Type is H):0.3~0.5MPa | | |
| Maximum reducing rate | 10:1 | | |
| Minimum pressure differential across the disc | 0.05MPa | | |
| Minimum adjustable flow | Water:2~5 L/min Air:5~10m ³ /h(Standard state) | 2~5 L/min | |
| Leakage allowance | Nil (Confirm at pressure gauge) | | |
| End connection | Flanged JIS 10KRF | | |
| Materials | Body(Cast iron), Trim(Cast bronze), Diaphragm & disc(Synthetic rubber) | | |
| Painting or coating for body | Interior:Epoxy resin | Interior:Rust proof oil | Nylon 11 coating |
| Valve body pressure test | Hydraulic 1.75MPa | | |

- *1. Valve with connecting thread (Screwed JIS Rc¹/₄") for pressure gauge on the side of body and with pressure gauges mounted are available upon request.
 *2. Valves with adjustable secondary pressure in 0.05~0.95MPa for size 80mm or smaller and 0.45~0.8MPa for size 100mm or bigger are available upon your request.
 *3. The size for installation on vertical pipeline is up to 80mm. And there should be a relatively large space for maintenance.
 (Valves above 100mm in size should be installed perpendicularly to horizontal pipe.)

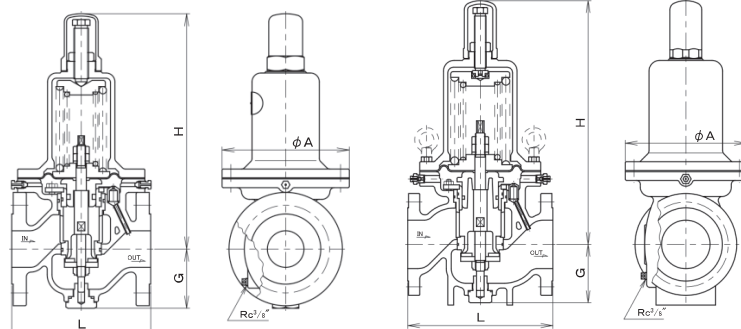
DIMENSIONS

(mm)

| Size | A | L | G | H | Cv value | Mass(kg) |
|------------|-----|-----|-----|-----|----------|----------|
| 15(1/2") | 156 | 142 | 65 | 256 | 1 | 10 |
| 20(3/4") | 160 | 142 | 65 | 256 | 2 | 10 |
| 25(1") | 160 | 142 | 65 | 257 | 3.5 | 10.5 |
| 32(1 1/4") | 180 | 174 | 76 | 332 | 5.5 | 17 |
| 40(1 1/2") | 180 | 174 | 76 | 333 | 8 | 17.5 |
| 50(2") | 190 | 174 | 81 | 341 | 14 | 19 |
| 65(2 1/2") | 230 | 218 | 95 | 434 | 22 | 37 |
| 80(3") | 250 | 218 | 100 | 439 | 32 | 40 |
| 100(4") | 300 | 250 | 125 | 490 | 48 | 67 |
| 125(5") | 370 | 340 | 150 | 640 | 75 | 112 |
| 150(6") | 400 | 340 | 165 | 655 | 108 | 150 |

Flange code JIS 10KRF

CONSTRUCTION



Size:15~80mm

Size:100~150mm

Depending on nominal diameter, the structure of the valve may be different from what is shown in the drawing.