

# TD-8, 8A Type Temperature Regulating Valve

for (Hot Water Tank), (Heat Exchanger), (Heavy Oil Heater), etc.

High-performance single seat valve with pressure balancing structure and advantages of single seat valves.

### FEATURES

- Compact structure, large capacity.
- Single seat valve with less leakage.

### SPECIFICATIONS

Utility	Heating		Cooling	
Model name	TD-8		TD-8A	
Type	Liquids	Gases	Liquids	Gases
Code name	TD8W-J □	TD8G-J	TD8AW-F	TD8AG-F
	※ 1, 2 or 3 for adjustment temperature range is required in □.			
Adjustment temperature range	1:40~60°C 2:60~80°C *1+2 3:80~100°C		40~60°C, 50~70°C, 60~80°C, 70~90°C, 80~100°C*1+2	
Applicable ambient temperature	Setting temperature -10°C or below			
Applicable fluid	Steam		Water	
Fluid to be heated or cooled	Water, oil & liquids	Gases	Water, oil & liquids	Gases
Seat type	Pressure balance type single seated			
Leakage allowance	0.05% or less than the rated flow			
Applicable temperature of valve body	Max. 184°C		Max. 60°C	
Length of capillary tube	2m (Available up to 5m)			
End connection	Screwed JIS Rc (Union)			
Materials	Body	Cast bronze		
	Disc & Seat	Stainless steel		Disc (Cast bronze), Seat (Brass)
	Bellows	Phosphor bronze		
	Thermo bulb	Stainless steel	Stainless steel with stainless steel fin	Stainless steel with stainless steel fin
Applicable pressure for thermo bulb	Max. 1.0MPa			
Pressure limit at inlet	0.7MPa			
Valve body pressure test	Hydraulic 1.5MPa			

\* 1. Other than the above adjustment temperature range are available upon your request.

\* 2. In case of liquid use, adjustable temperature range 100~120°C. (Withstanding temperature 130°C) is available upon your request.

\* 3. Refer to Page 132 for adjustable temperature range.

\* 4. In case of liquid use, the protection cap for thermo bulb, with non-standard dimension is available upon your request.

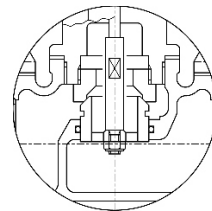
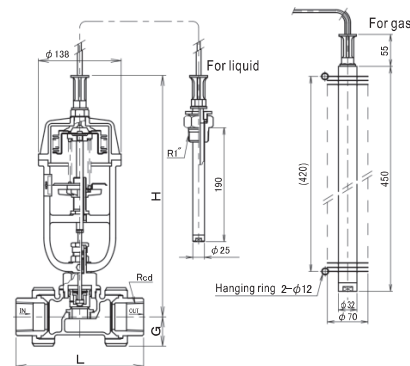
### DIMENSIONS

(mm)

Size	L	G	H	d	Cv value	Mass(kg)
15(1/2")	136	30	378	1/2"	3	7
20(3/4")	136	30	378	3/4"	3	7
25(1")	142	33	378	1"	4	7
32(1 1/4")	184	40	391	1 1/4"	6.5	8.5
40(1 1/2")	202	42	395	1 1/2"	8	9

\* Mass are for TD-8 Type

### CONSTRUCTION



TD-8A Type