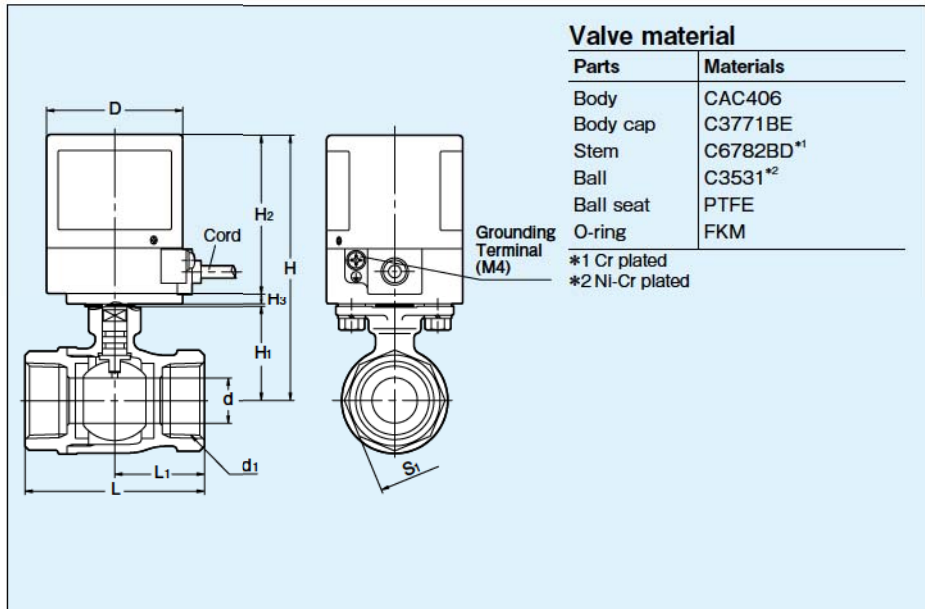


Type EA Electric Actuators / Class 10K Bronze Ball Valves

Fig. EA100 / 200-TE

Actuator size: 1 and 1.5
 Valve size: 3/8" to 1" (Standard bore)

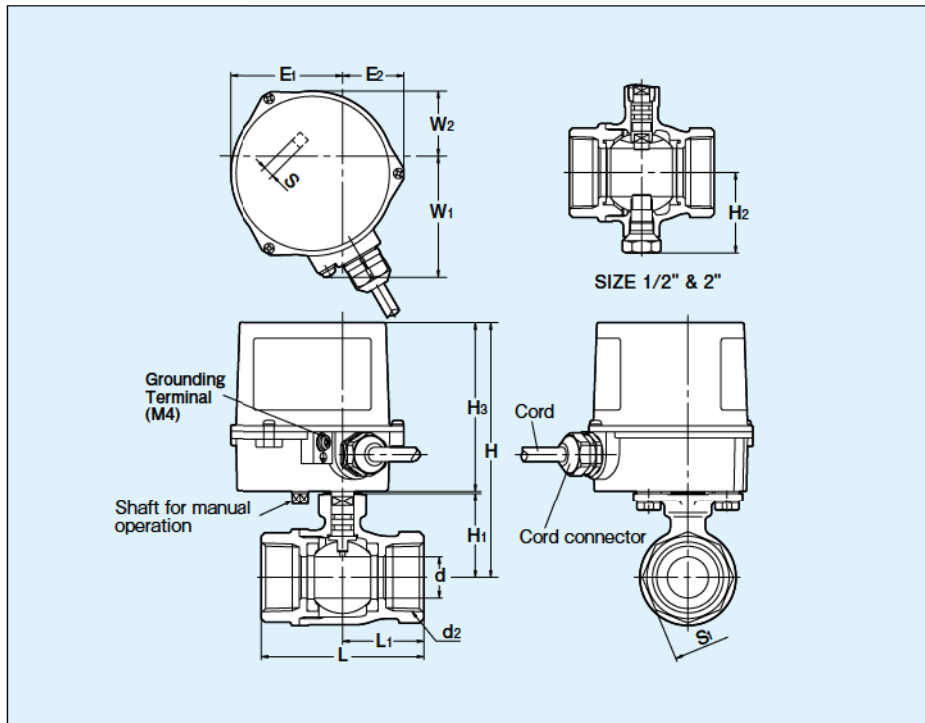
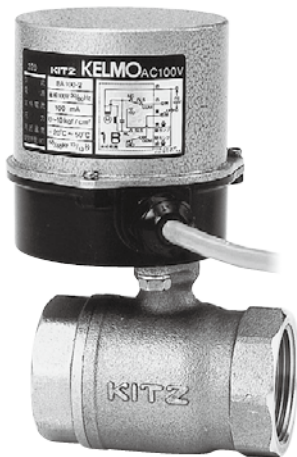


Dimensions

Valve Size (inch)	d	d ₁	H	H _i	L	L ₁	S ₁	Actuator			
								H ₂	H _s	D	Type
3/8	7.5	Rc3/8	104	28	46	22	22	70	5	60	EA100 / 200-1
1/2	10	Rc1/2	109.5	33.5	65	32.5	28				
3/4	15	Rc3/4	113.5	37.5	68	34	34				
1	20	Rc1	117.5	41.5	79	39.5	41				

Fig. EA100 / 200-TE

Actuator size: 2
 Valve size: 1/4" to 2" (Standard bore)



Dimensions

Valve Size (inch)	d	d ₁	H	H _i	H ₂	L	L ₁	S ₁	Actuator						
									H _s	E ₁	E ₂	W ₁	W ₂	S	Type
1/4	25	Rc1/4	128.5	45.5	—	86	43	50	82	54.5	30	59	31.5	5.5	EA100 / 200-2
1/2	32	Rc1/2	142.5	59.5	53.5	96	48	56							
2	40	Rc2	148.5	65.5	60	109	54.5	68							

Electeic Actuators / Class 10K Bronze Ball Valve

Fg. EA200-TE

Application: On/Off Control Water, oil, gas

Valve closing time 90Deg :

Size : 3/8" to 1/2" : 6Sec

Size : 3/4" to 1" : 12Sec

Size : 1.1.4" to 2" : 15Sec

VALVE:

Body: Bronze

Threaded ends: (JIS B 0203)

Max Pressure : 1.0Mpa

Max Temperature: 150 Deg.C

ELECTRIC ACTUATOR

Voltage: 200V AC +/- 10% / 50Hz

Ambient Temperature : - 20Deg.C to 50 Deg.C

Contact information:

113 Binh Thoi Street Ward 11, Dist 11, Ho Chi Minh City- Vietnam

Telephone: (84-8) 39 621 621 (10 lines)

Fascimile: (84-8) 39 650 292

Email: ittco@ittco.vn

Wedsite: www.ittco.vn