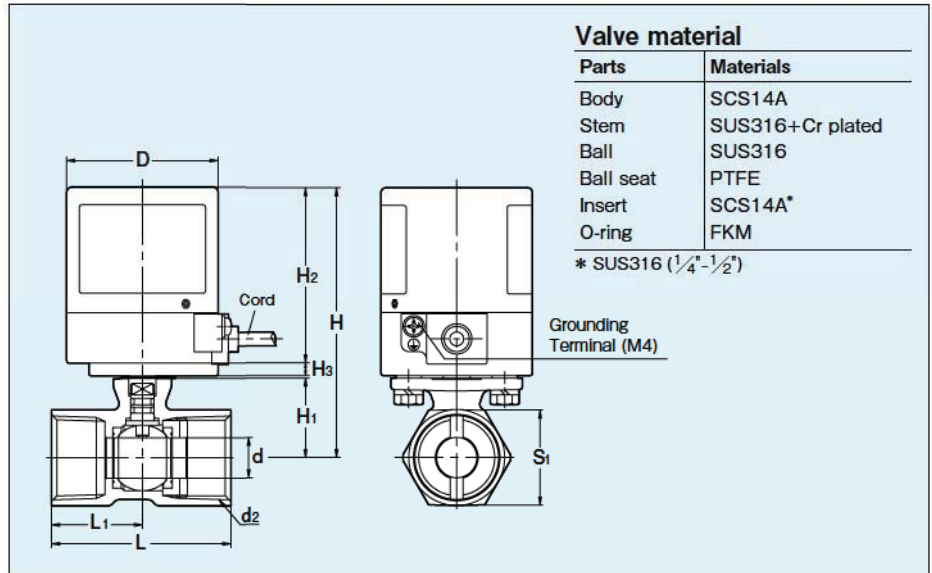


## Type EA Electric Actuators / Class 10K Stainless Steel Ball Valves

**Fig. EA100 / 200-UTE**

Actuator size: 1 and 1.5  
 Valve size: 1/4" to 1" (Reduced bore)



**Valve material**

Parts	Materials
Body	SCS14A
Stem	SUS316+Cr plated
Ball	SUS316
Ball seat	PTFE
Insert	SCS14A*
O-ring	FKM

\* SUS316 (1/4"-1/2")

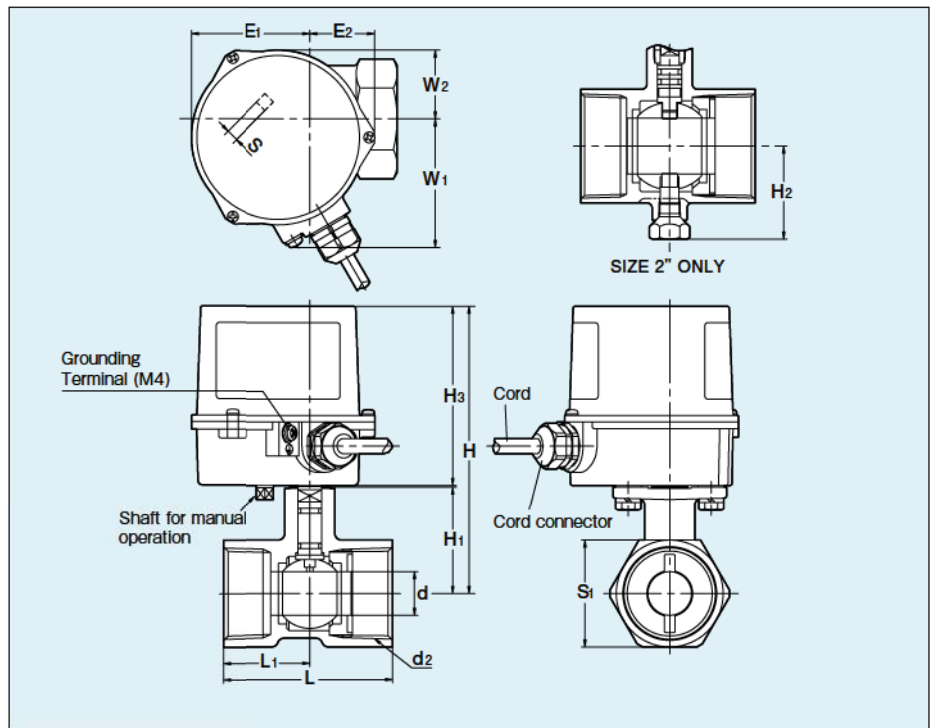
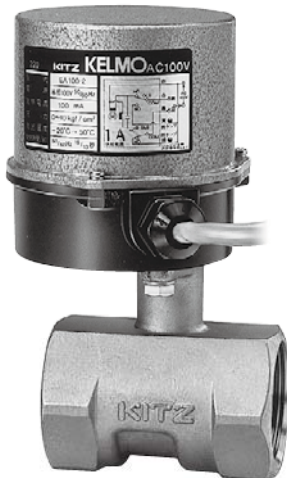
**Dimensions**

(mm)

Valve Size (inch)	d	d <sub>1</sub>	H	H <sub>1</sub>	L	L <sub>1</sub>	S <sub>1</sub>	Actuator			
								H <sub>2</sub>	H <sub>3</sub>	D	Type
1/4	5.3	Rc1/4	102	26	44	21	21	70	5	60	EA100 / 200-1
3/8	7.7	Rc3/8	102	26	44	21	21				
1/2	9.2	Rc1/2	102	26	56.5	27.5	25				
3/4	12.5	Rc3/4	105	29	59	30	32				
1	16	Rc1	108	32	71	36	38				

**Fig. EA100 / 200-UTE**

Actuator size: 2  
 Valve size: 1/4" to 2" (Reduced bore)



**Dimensions**

(mm)

Valve Size (inch)	d	d <sub>1</sub>	H	H <sub>1</sub>	H <sub>2</sub>	L	L <sub>1</sub>	S <sub>1</sub>	Actuator						
									H <sub>3</sub>	E <sub>1</sub>	E <sub>2</sub>	W <sub>1</sub>	W <sub>2</sub>	S	Type
1/4	20	Rc1/4	132.5	49.5	—	78	40	49	82	54.5	30	59	31.5	5.5	EA100 / 200-2
1/2	24.5	Rc1/2	135.5	52.5	—	83	42.5	53							
2	32	Rc2	141.5	58.5	53.5	100	51	65							