

Energized Open: open when power is on.
Energized close: close when power is on.

SPECIFICATIONS								
Type	Body: Cast bronze				Body: Stainless steel			
Operation	Energized open	Energized close	Energized open	Energized close	Energized open	Energized close	Energized open	Energized close
Model	PS-22	PS-22C	PF-22	PF-22C	PS-25	PS-25C	PF-25	PF-25C
Code	PS22-W	PS22C-W	PF22-W	PF22C-W	PS25-V	PS25C-V	PF25-V	PF25C-V
Size (mm)	10~50 * ¹		15~50 * ¹		10~50 * ¹		15~50 * ¹	
End connection	Screwed JIS Rc		Flanged JIS 10KFF		Screwed JIS Rc		Flanged JIS 10KFF	
Applicable fluid	Steam, water, air, oil (kerosene, diesel oil)							
Applicable pressure	0~1.0 MPa							
Min. differential pressure before and after valve	0 MPa (0.03 MPa when the coil is horizontal)							
Fluid temperature	5~180°C (Max. 100°C for hot water)							
Fluid viscosity	Max. 20cSt * ²							
Allowed leakage	Steam/water/oil: none (pressure gauge, visual inspection) Air: less than 50mL/min (standard condition) (at 0.5 MPa)							
Rated voltage	AC100V/200V 50/60Hz AC110V/220V 60Hz common * ³							
Type of coil insulation	H type							
Ambient temperature	5~60°C							
Protective structure	Dust/splash proof (equivalent to IP-54) for indoor installation * ⁴ (For outdoor installation, use TB-03 series terminal box * ⁵)							
Installation	Vertical/horizontal installation of coil for vertical/horizontal pipeline. When TB-03 series terminal box is used, make sure the wire inserting part of the terminal box faces downward.							
Body pressure test	Hydraulic 2.0MPa							

Note:

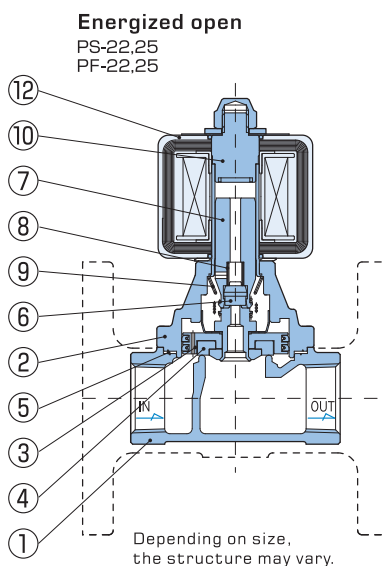
- ※ 1. The shape of coil for size 32~50 mm and special voltage may vary.
- ※ 2. Type K submersible series for fountain, Y series for high humidity (higher than 85%), and R series for high viscosity (fluid viscosity less than 100cSt) are also available.
- ※ 3. Special voltage items other than the above specified are available upon a request (the coil shape and specifications may vary).
- ※ 4. Size 32~50mm product is dust/splash proof (equivalent to IP-52).
- ※ 5. Valve with TB-03 is rain proof, and valve with TB-03C is splash proof (size 10~25mm) or rain proof (size 32~50mm).
For details of terminal box, see page 8.



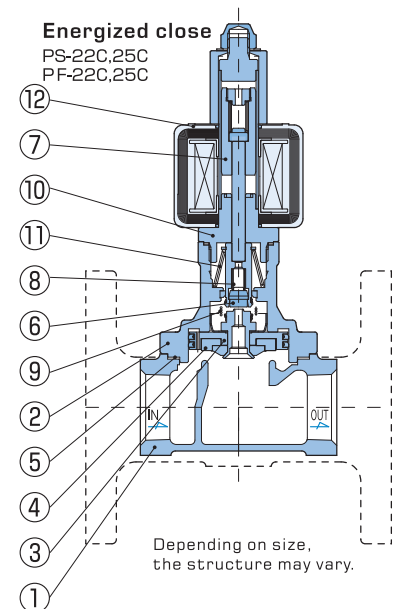
SIZE 32~50mm

Current • power consumption												
Size (mm)	Energized open						Energized close					
	PS,PF-22, PS,PF-25						PS,PF-22C, PS,PF-25C					
	AC 100V			AC 200V			AC 100V			AC 200V		
	Rated(A)	Start(A)	Power consumption(W)	Rated(A)	Start(A)	Power consumption(W)	Rated(A)	Start(A)	Power consumption(W)	Rated(A)	Start(A)	Power consumption(W)
10 • 15	0.21	0.70	9	0.10	0.35	9	0.30	1.29	12	0.15	0.65	12
20 • 25	0.25	1.20	13	0.13	0.60	13	0.30	1.29	12	0.15	0.65	12
32-40-50	0.36	1.62	23	0.18	0.80	23	0.43	1.71	18	0.22	0.86	18

Note: PF type (flange type) is size 15 mm and larger.



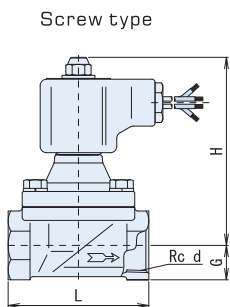
Structure • material		
No. Parts	Material	
	PS,PF-22-22C	PS,PF-25-25C
1 Body	Cast bronze	Stainless steel
2 Cover	Brass	Stainless steel
3 Piston	Brass	Stainless steel
4 Disc	Teflon	
5 Gasket	Teflon	
6 Pilot disc	Teflon	
7 Plunger	Stainless steel	
8 Pilot spring	Stainless steel	
9 Joint spring	Stainless steel	
10 Fixed core	Stainless steel & copper	Stainless steel & silver
11 Return spring	Stainless steel	
12 Coil	—	



Energized open type

Piston type PS-22 · PS-25

Diaphragm type WS-22 · WS-25

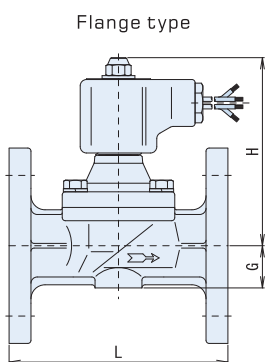


SIZE	d	L	G	Port size	PS-22			PS-25			WS-22			WS-25		
					H	Cvvalue	Mass(g)	H	Cvvalue	Mass(g)	H	Cvvalue	Mass(g)	H	Cvvalue	Mass(g)
10	3/8	63	15	18	102	3	1.1	111	3	1.2	92	3	1	101	3	1.1
15	1/2	63	15	18	102	4.5	1.1	111	4.5	1.2	92	4	1	101	4	1.1
20	3/4	80	18	23	115	7.5	1.4	124	7.5	1.6	94	7	1.1	103	7	1.3
25	1	90	22	28	120	12	1.9	128	12	2.1	100	10	1.6	108	10	1.8
32	1 1/4	106	27	32	150	18	3	157	18	3.4	138	17	2.6	145	17	3.4
40	1 1/2	118	30	40	153	23	3.9	160	23	4.3	141	20	3.5	148	20	4.3
50	2	140	37	48	165	35	5.3	172	35	5.7	153	30	5.1	160	30	5.7

(mm)

Piston type PF-22 · PF-25

Diaphragm type WF-22 · WF-25



SIZE	L	Port size	PF-22				PF-25				WF-22				WF-25			
			H	G	Cvvalue	Mass(g)	H	G	Cvvalue	Mass(g)	H	G	Cvvalue	Mass(g)	H	G	Cvvalue	Mass(g)
15	112	18	102	21	4.5	2.6	111	15	4.5	2.4	92	21	4	2.5	101	15	4	2.1
20	118	23	115	24	7.5	3.4	124	18	7.5	3.3	94	24	7	3.1	103	18	7	2.9
25	140	28	120	27	12	5.2	128	22	12	4.8	100	27	10	4.9	108	22	10	4.2
32	150	32	150	32	18	7	157	27	18	6.5	138	32	17	6.6	145	27	17	6.2
40	160	40	153	35	23	8.3	160	30	23	7.7	141	35	20	7.9	148	30	20	7.4
50	190	48	165	41	35	10.6	172	37	35	9.9	153	41	30	10.4	160	37	30	9.2

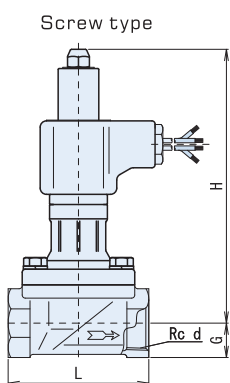
(mm)

Flange code JIS 10KFF

Energized close type

Piston type PS-22C · PS-25C

Diaphragm type WS-22C · WS-25C

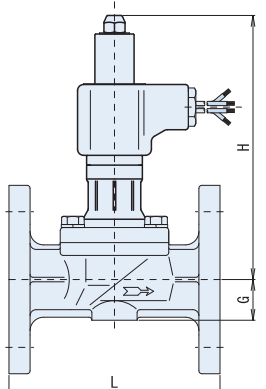


SIZE	d	L	G	Port size	PS-22C			PS-25C			WS-22C			WS-25C		
					H	Cvvalue	Mass(g)	H	Cvvalue	Mass(g)	H	Cvvalue	Mass(g)	H	Cvvalue	Mass(g)
10	3/8	63	15	18	174	3	1.5	177	3	1.6	164	3	1.4	167	3	1.5
15	1/2	63	15	18	174	4.5	1.5	177	4.5	1.6	164	4	1.4	167	4	1.5
20	3/4	80	18	23	178	7.5	1.8	181	7.5	1.9	165	7	1.5	169	7	1.7
25	1	90	22	28	183	12	2.3	185	12	2.4	171	10	2	174	10	2.2
32	1 1/4	106	27	32	199	18	3.5	202	18	3.7	199	17	3	202	17	3.7
40	1 1/2	118	30	40	202	23	4.4	205	23	4.6	202	20	3.9	205	20	4.6
50	2	140	37	48	214	35	5.8	217	35	6.2	214	30	5.5	217	30	6.2

(mm)

Piston type PF-22C · PF-25C

Diaphragm type WF-22C · WF-25C



SIZE	L	Port size	PF-22C				PF-25C				WF-22C				WF-25C			
			H	G	Cvvalue	Mass(g)	H	G	Cvvalue	Mass(g)	H	G	Cvvalue	Mass(g)	H	G	Cvvalue	Mass(g)
15	112	18	174	21	4.5	3	177	15	4.5	2.8	164	21	4	2.9	167	15	4	2.5
20	118	23	178	24	7.5	3.8	181	18	7.5	3.6	165	24	7	3.5	169	18	7	3.3
25	140	28	183	27	12	5.6	185	22	12	5.1	171	27	10	5.3	174	22	10	4.6
32	150	32	199	32	18	7.5	202	27	18	6.8	199	32	17	7	202	27	17	6.5
40	160	40	202	35	23	8.8	205	30	23	8	202	35	20	8.3	205	30	20	7.7
50	190	48	214	41	35	11.1	217	37	35	10.4	214	41	30	10.8	217	37	30	9.5

(mm)

Flange code JIS 10KFF